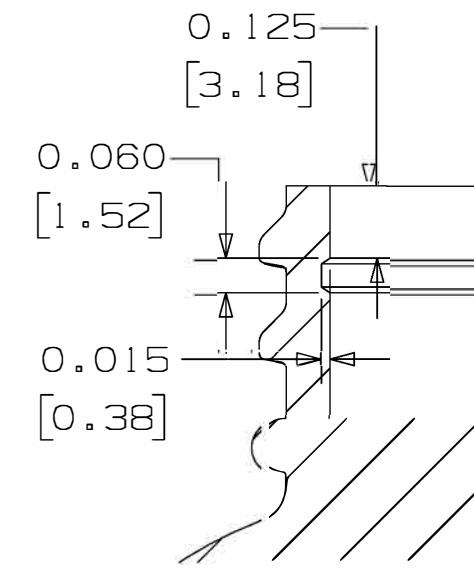


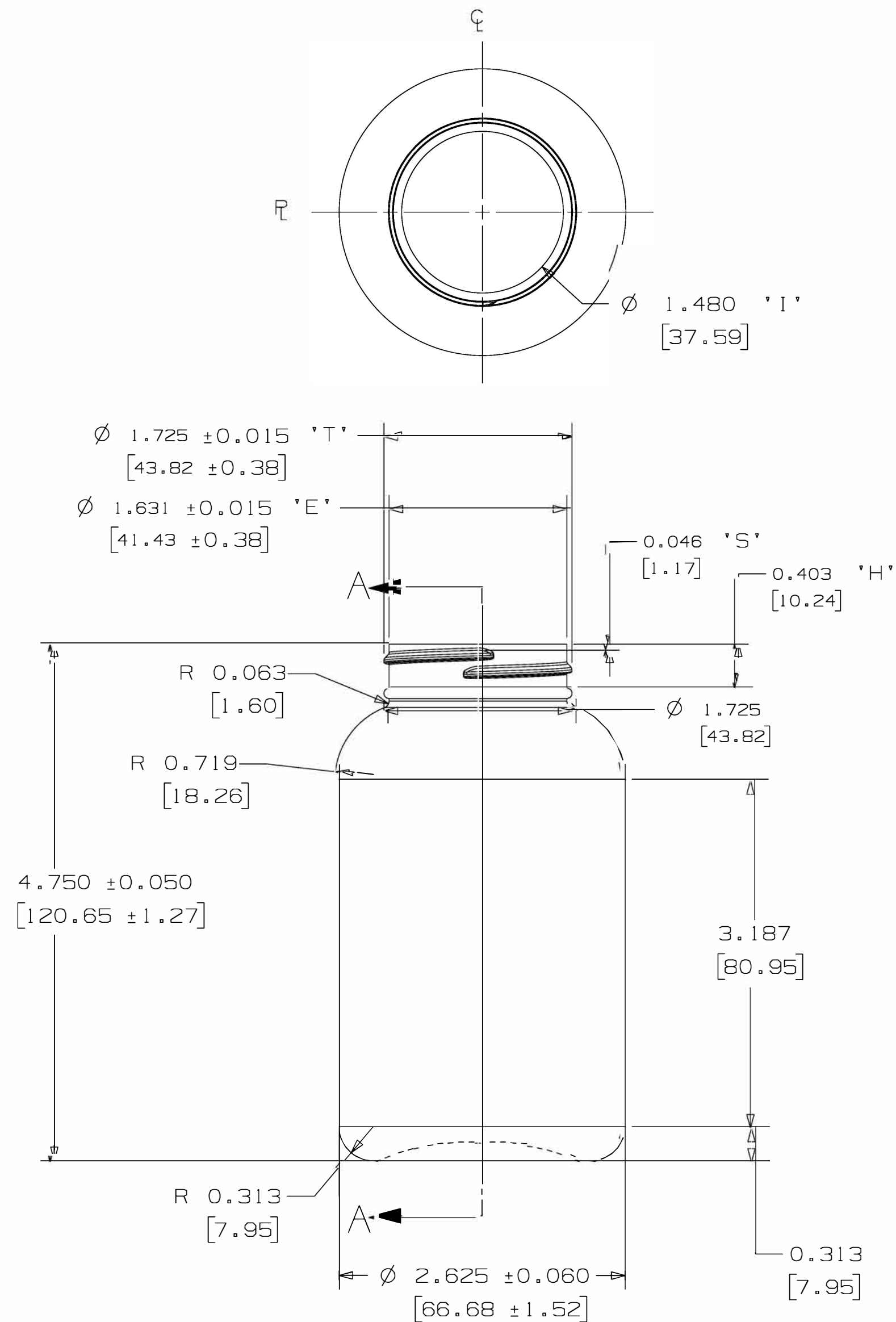
PRELIMINARY PRINT

THIS CONCEPT IS SUBJECT TO CHANGE
 PREDICATED ON DATA COLLECTED AT SAMPLING

IBM RETENTION RING DESIGN FOR TOP SEAL CLOSURES

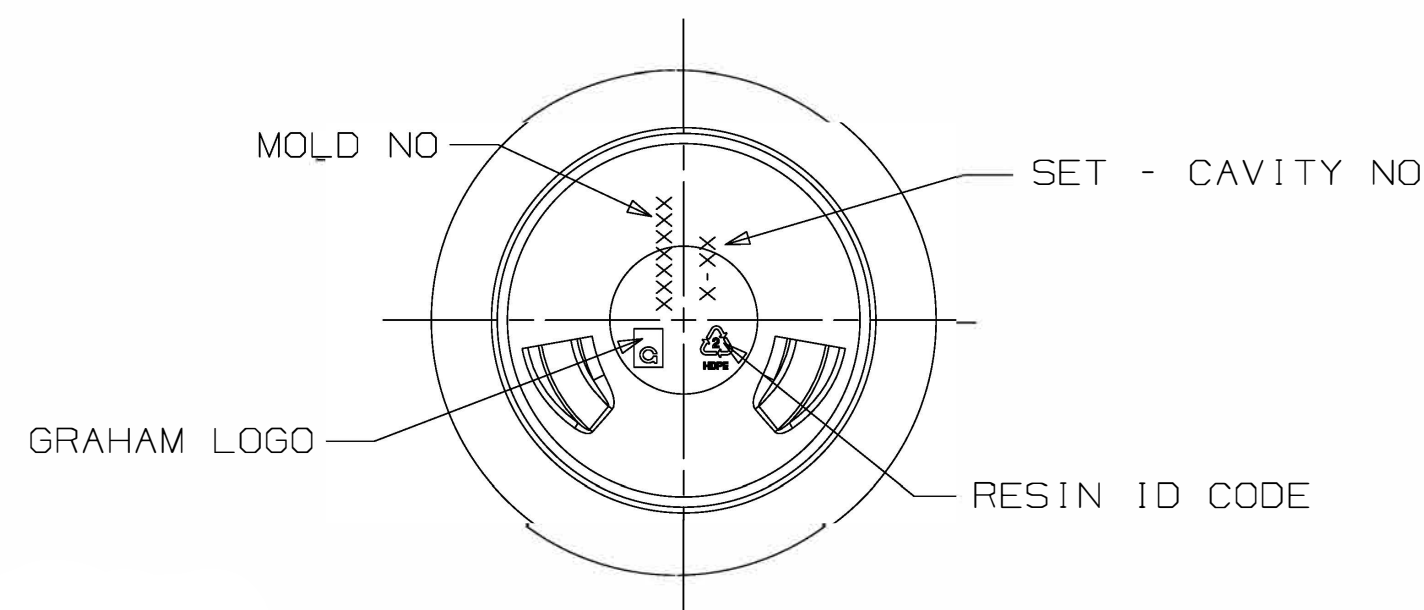


SECTION A-A
 SCALE 3:1



NOTES:

- 1) DIMENSIONS IN [] ARE MILLIMETERS
- 2) ALL CRITICAL DIMENSIONS ARE TOLERANCED FOR Q.C. PURPOSE ONLY. ALL OTHER DIMENSIONS TO BE CONSIDERED REFERENCE ONLY. BOTTLE IS BUILT AS A 3D SURFACE MODEL.
- 3) ENGRAVING LOCATIONS ARE APPROXIMATE.
- 4) Mold No. 700021A



REV.	DESCRIPTION	BY	DATE
A	REVISED RETENTION RING, ADDED TOLERANCING, REVISED DECO LUG STYLE	JAH	9/23/10

REFERENCE INFORMATION		TITLE	
WEIGHT	26.0 ± 1.5 g	300cc HDPE ROUND	
OFC AS MOLDED	346.0 ± 9.0cc	TYPE	DETAIL DRAWING
PDE	11.69 ± 0.3 FL OZ	DATE	9/16/10
		MATERIAL	HDPE
		SCALE	FULL
		DWG NO.	3190-0002A